



Videojet Unicorn[®] II

Large Character Ink Jet Printer

Ink Jet.

Laser.

Thermal Transfer.

Labelers.

Track & Trace.

Supplies.

Parts & Service.

The Unicorn II is a compact ink jet printer that provides high quality, reliable, and economical printing of one or two lines of text. Whatever your programming needs, the Unicorn II can be programmed quickly and easily. Product names, identification numbers, automatic production counts and accurate-to-the minute time code capabilities are available at the touch of a button.

Up to two lines of print with built-in multiple languages

- Print one or two lines of text using a variety of selectable languages and printable characters
- Marks cartons and provides production information vital for inventory and quality control
- Easy-to-use icon keys allow you to adjust and edit product codes with a few simple keystrokes
- Menu-driven programs include electronically accurate automatic date change, clock functions, and consecutive counts

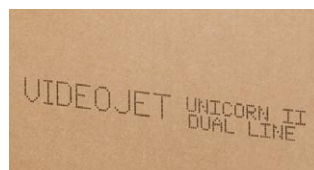


Most economical cost per code solution

- Delivers an all-in-one, low cost solution from high ink mileage and low maintenance requirements
- Hard-working design provides outstanding reliability and unsurpassed performance

Out of the box and on the job in minutes

- Can be assembled and installed in minutes; simply plug it in and you are ready to print
- Mounted directly to a conveyor, it includes: controller/keypad, printhead, power pack, power cord, mounting brackets and a pressurized ink bottle



System Includes

Controller/Input Device; Printhead; Universal Power Supply; Mounting Bracketry and a bottle of Porous Ink

Built-in Software Features

- Customized time and date codes
- Rollover hour
- Expiration date for automatic printing
- Shift organizer for automatic coding by particular shifts (up to 4 shifts)
- Print delay for message placement
- Character width adjustment
- Variable speed or fixed speed printing
- Consecutive incremental numbering

Operating Languages

Dutch, English, Finnish, French, German, Italian, Portuguese, Spanish, Swedish, Norwegian, Turkish, Hungarian
Additional printable characters: Cyrillic, Arabic, Hebrew, Polish
Special application units include: Japanese, Korean, Simplified Chinese; Traditional Chinese, Thai

Print Heights

Standard Print Height: 1 inch (25mm)
Optional Heights: ¾ inch (20 mm), 1 ¼ inches (32mm), 1.9 inches (48mm)

Character Fonts

7x5 dot matrix, 16x16 dot matrix

Conveyor Line Speed

20 feet/min. (6.1 m/min.) to 200 feet/min. (61.0 m/min.)

Message Length

Up to 40 characters of 16 dot font or two 80 character rows of 7 dot font

Message Storage Capacity

Up to 40 messages

Operating Temperature Range

40°F to 120°F (4°C to 49°C)

Electrical

System uses a universal switching power supply. 100/240VAC at 50/60Hz

Print Sensor

Internal sensors included; external sensor is optional

Ink System

Internally regulated ink system; factory set; no adjustment necessary

Ink

8 oz. (0.23 liter) bladder pressurized, non-aerosol ink bottle
Optional Bulk Ink option (5 gal.) available; ADS Ink System required

Shipping Weight

11.45 lbs. (5.19 kg)

Mounting Bracketry

15 and 9 inch (38.9 and 22.8cm) tubing with 1 inch (2.54cm) outside diameter (OD)

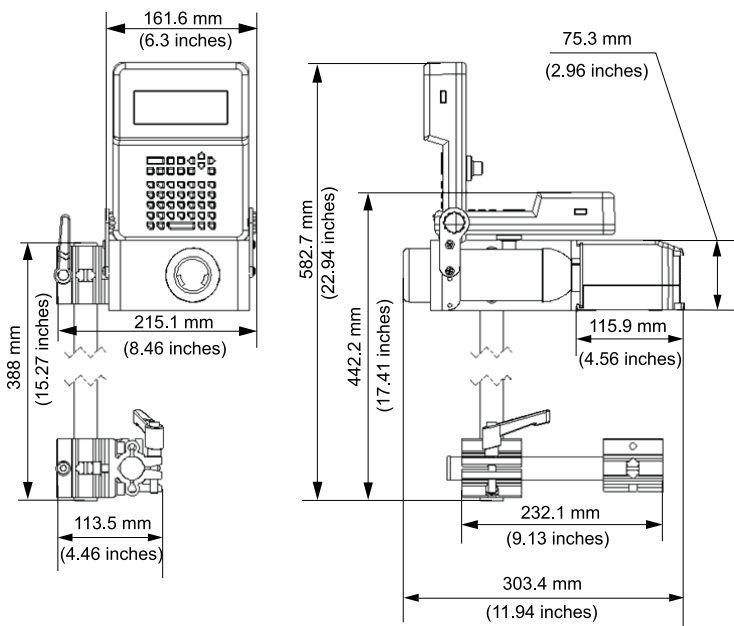
Optional hand levers can be installed for simple up/down and in/out adjustments

Optional Bracketry for Special Installations

Long Reach Bracket Kit available for special mounting situations



Dimensions



Email : info@sorim-holding.com
Web : www.sorim-holding.com

